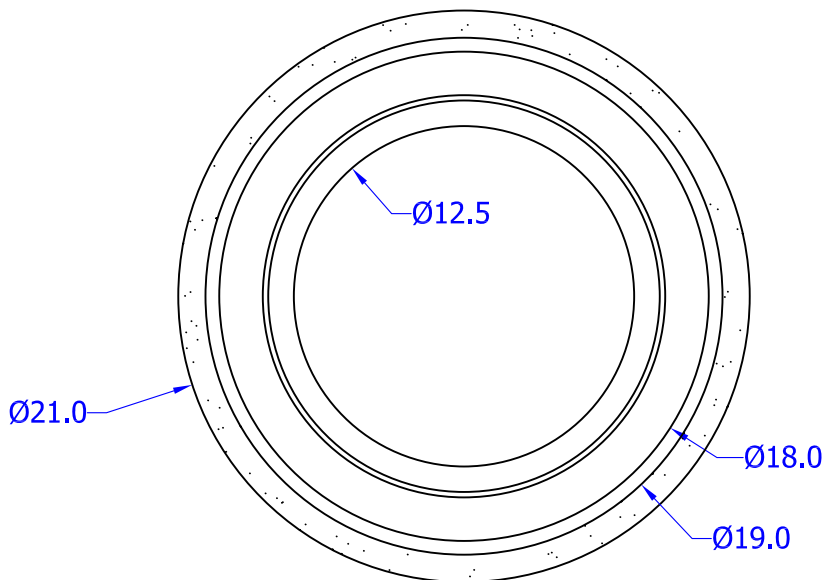


Front View



Top View

**PROPRIETARY DATA**

THIS DOCUMENT CONTAINS PROPRIETARY DATA OF QUALARC. NO DISCLOSURES, REPRODUCTION, OR USE OF ANY PART THEREOF MAY BE MADE EXCEPT BY WRITTEN PERMISSION OF QUALARC.

**Qualarc, Inc.**

11300 Trade Center Drive, #A 916-273-1576 phone  
 Rancho Cordova, CA 95742 916-635-0228 Fax  
 888-800-0153 toll free [www.qualarc.com](http://www.qualarc.com)

NAME:

Trash Receptacle + Side Entrance 21, inch size

DO NOT SCALE DRAWING

MATERIAL:

Fiberglass

FINISH

Slate textured

**Tolerances:** X, =±0.08inch  
 . X=±0.06inch  
 . XX=±0.04inch  
 . XXX=±0.02inch

Qty:

**Dimensions:** Unless noted all dimensions are in **inch**

**Angles:** 1° or as otherwise noted

DRAWN BY

Jyg

DATE

11/28/08

DRAWING/PART#

0605-2 in

PAGE 1 of 1

CHECKED BY /DATE

Xyn 11/28/08

APPROVED BY

REVISION BY /DATE

Jyg 12/02/08

REV# \_\_\_