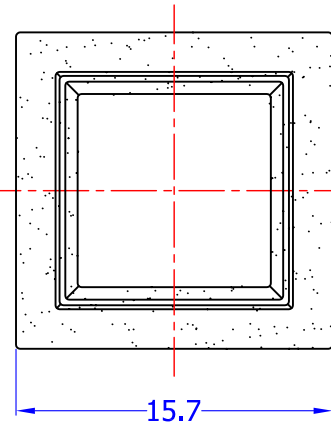
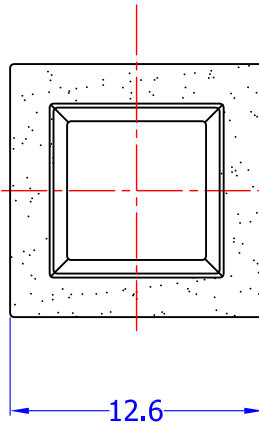
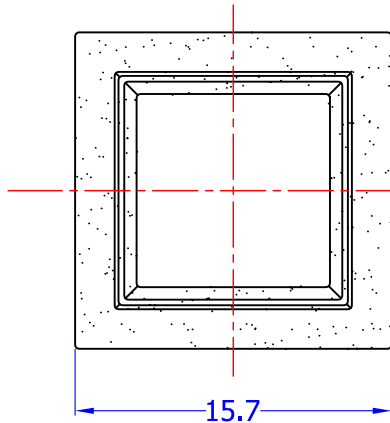


Front View



Top View

PROPRIETARY DATA

THIS DOCUMENT CONTAINS PROPRIETARY DATA OF QUALARC. NO DISCLOSURES, REPRODUCTION, OR USE OF ANY PART THEREOF MAY BE MADE EXCEPT BY WRITTEN PERMISSION OF QUALARC.

Qualarc

11300 Trade Center Drive, #A 916-273-1576 phone
 Rancho Cordova, CA 95742 916-635-0228 Fax
 888-800-0153 toll free www.qualarc.com

NAME: Saratoga Planter Set

⊗ DO NOT SCALE DRAWING

MATERIAL: Fiberglass

FINISH

Tolerances: X, =±0.08inch
 . X=±0.06inch
 . XX=±0.04inch
 . XXX=±0.02inch

Qty:
Dimensions: Unless noted all dimensions are in **inch**

DRAWN BY Jyg
 CHECKED BY /DATE Xyn 6/7/11
 REVISION BY /DATE Jyg 6/7/11

DATE 6/7/11
 APPROVED BY

DRAWING/PART# 0613-4in

PAGE 1 of 1

REV# ___

Angles: 1° or as otherwise noted